

Valvola a sfera K attacchi clamp

K ball valve ferrule ends

K Kugelventil Clamp Anschluß

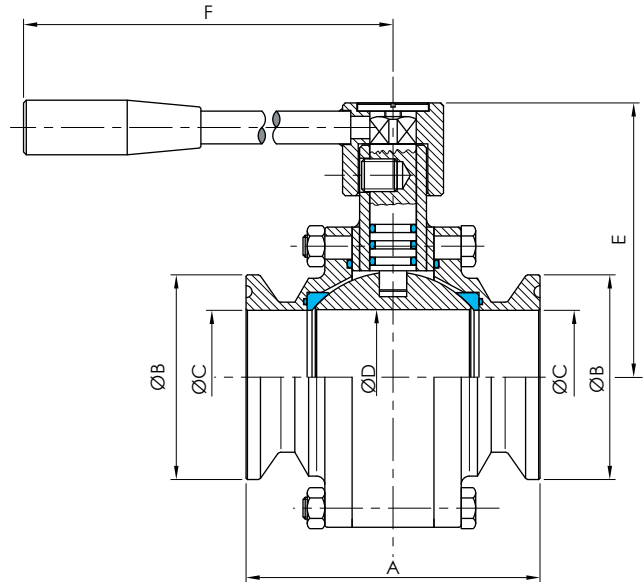
Vanne à boule K bouts clamp

Válvula de bola K clamp

art. 59

AISI 304 - 316

DN	A	B	C	D	E	F
25	88	50.4	22.2	24	73.5	122
38	102	50.4	34.9	40	95	180
51	102	63.9	47.5	49.5	100.5	180
63	114	77.4	60.2	57.5	125.5	266
76	114	90.9	72.9	69	136.5	266
100R	206	118.9	89	89	144.5	266



Ver. 04.18

Valvola a sfera K saldare - clamp

K ball valve welding end - clamp ferrule

K Kugelventil S - Clamp

Vanne à boule K bout lisse - clamp

Válvula de bola K soldar - clamp

art. 60

AISI 304 - 316

DN	A	B	C	D	E	F
25	88	50.4	25.4	24	73.5	122
38	102	50.4	38.1	40	95	180
51	102	63.9	50.8	49.5	100.5	180
63	114	77.4	63.5	57.5	125.5	266
76	114	90.9	76.2	69	136.5	266
100R	206	118.9	101.6	89	144.5	266

