

## Valvola a sfera K con attacchi filettati DIN

K ball valve DIN male ends

K Kugelventil DIN G/G

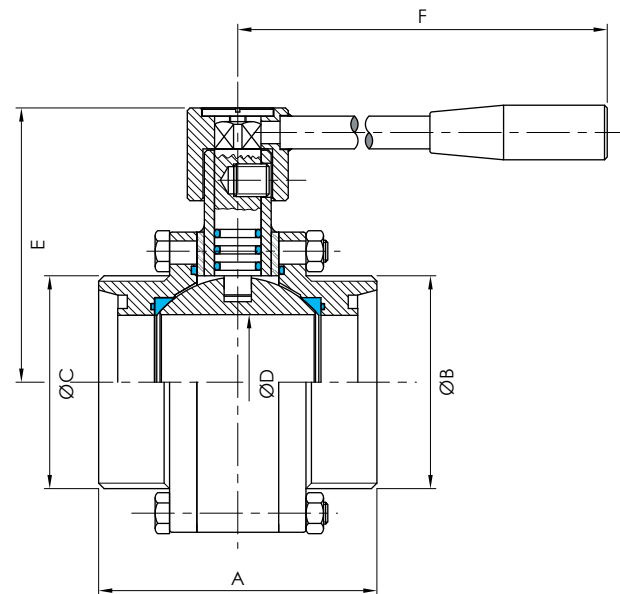
Vanne à boule K bouts filetés DIN

Válvula de bola K macho - macho DIN

AISI 304 - 316

 art. **52**

DN	A	B	C	D	E	F
25	88	52x1/6"		24	73.5	122
32	88	58x1/6"		33	79	122
40	102	65x1/6"		40	95	180
50	102	78x1/6"		49.5	100.5	180
60	114	84.5x1/6"		57.5	107.25	205
65	124	95x1/6"		65.5	125.5	266
80	152	110x1/4"		79	136.5	266
100R	154	130x1/4"		89	144.5	266



## Valvola a sfera K maschio girella - filetto DIN

K ball valve DIN nut and liner - male end

K Kugelventil DIN KM/G

Vanne à boule K mâle - femelle DIN

Válvula de bola K tuerca - macho DIN

AISI 304 - 316

 art. **53**

DN	A	B	C	D	E	F
25	88	52x1/6"		24	73.5	122
32	88	58x1/6"		33	79	122
40	102	65x1/6"		40	95	180
50	102	78x1/6"		49.5	100.5	180
60	114	84.5x1/6"		57.5	107.25	205
65	124	95x1/6"		65.5	125.5	266
80	152	110x1/4"		79	136.5	266
100R	154	130x1/4"		89	144.5	266

