

Valvola a sfera K attacchi filettati SMS

K ball valve SMS male ends

K Kugelventil SMS G/G

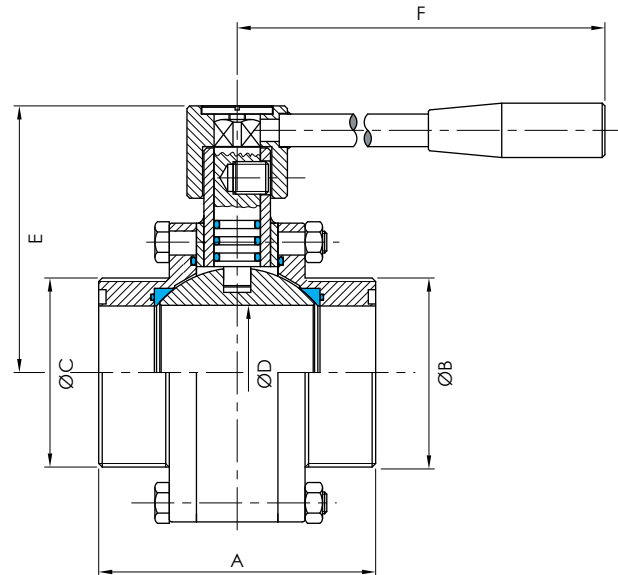
Vanne à boule K bouts filetés SMS

Válvula de bola K macho - macho SMS

AISI 304 - 316

 art. **47**

DN	A	B	C	D	E	F
25	88	40x1/6"	24	73.5	122	
38	102	60x1/6"	35	95	180	
51	102	70x1/6"	49.5	100.5	180	
63	114	85x1/6"	57.5	125.5	266	
76	114	98x1/6"	69	136.5	266	
100R	206	125x1/6"	89	144.5	266	



Ver. 04.18

Valvola a sfera K maschio girella SMS - filetto SMS

K ball valve SMS nut and liner - male end

K Kugelventil SMS KM/G

Vanne à boule K mâle - femelle SMS

Válvula de bola K tuerca - macho SMS

AISI 304 - 316

 art. **48**

DN	A	B	C	D	E	F
25	88	40x1/6"	24	73.5	122	
38	102	60x1/6"	35	95	180	
51	102	70x1/6"	49.5	100.5	180	
63	114	85x1/6"	57.5	125.5	266	
76	114	98x1/6"	69	136.5	266	
100R	206	125x1/6"	89	144.5	266	

